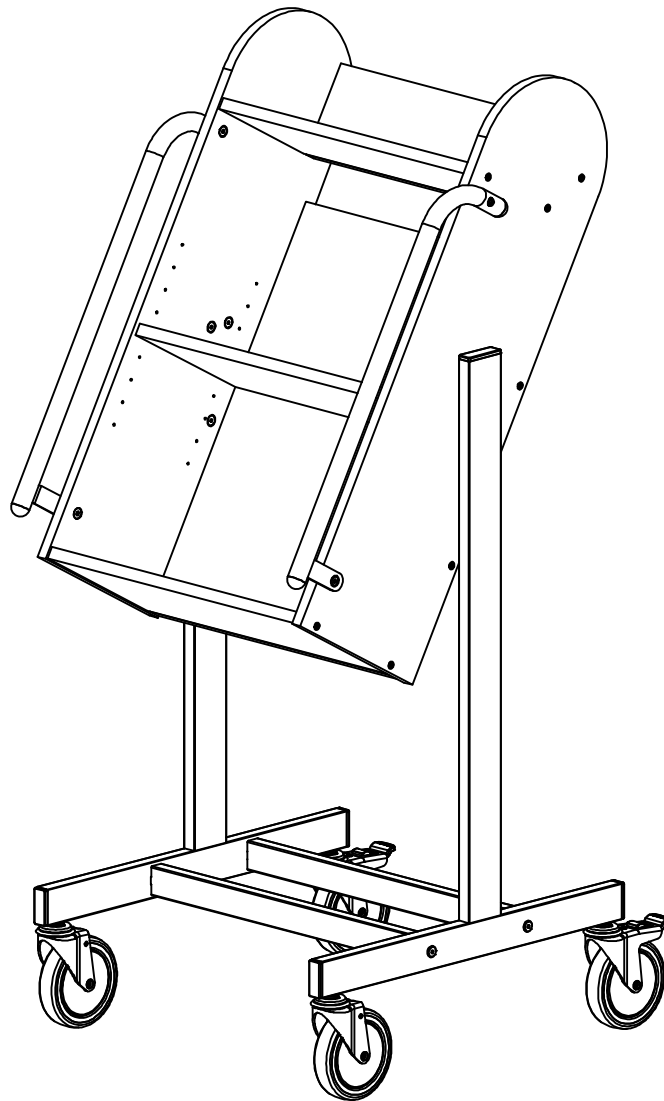


# Assembly Guide

## Ergoline book trolley

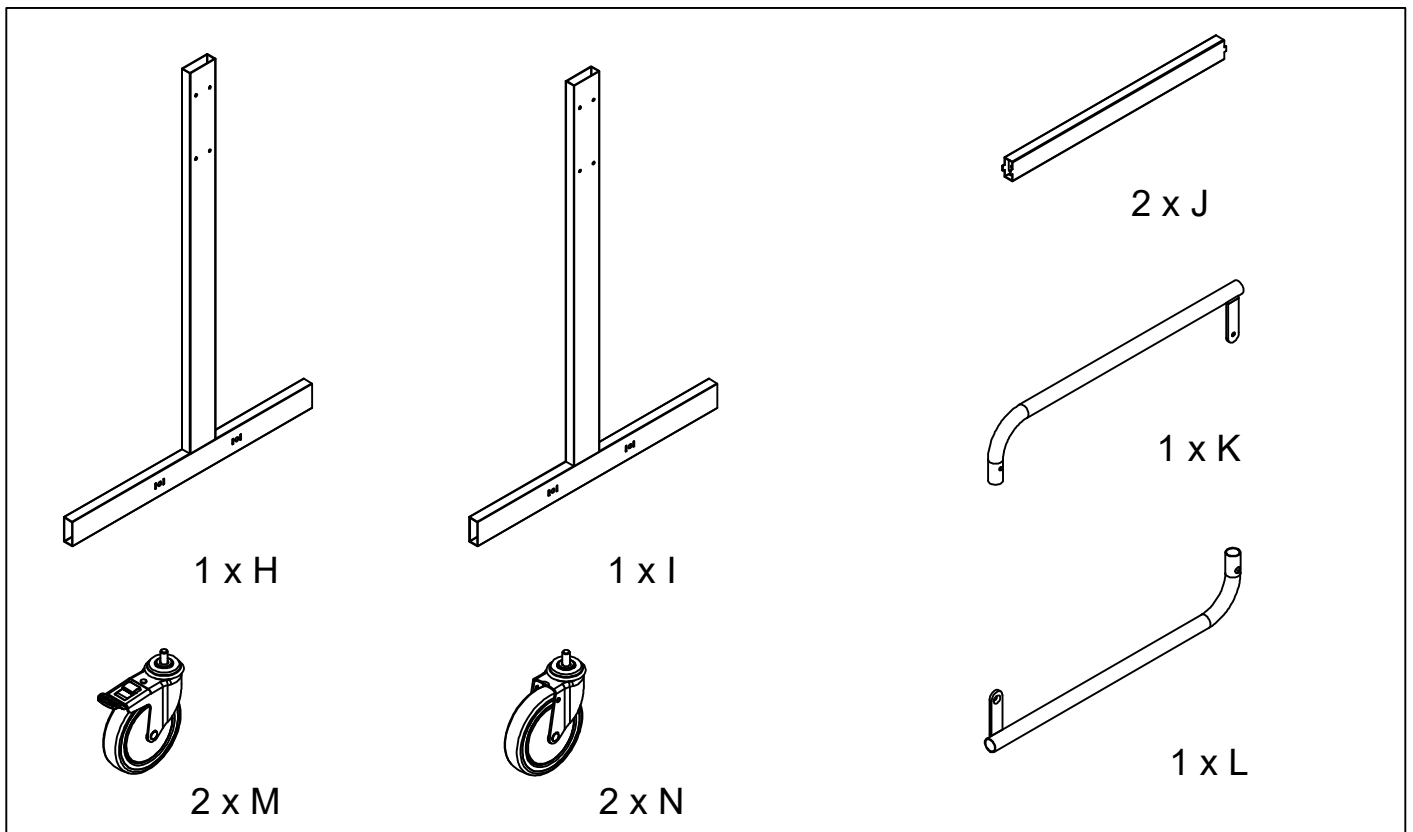
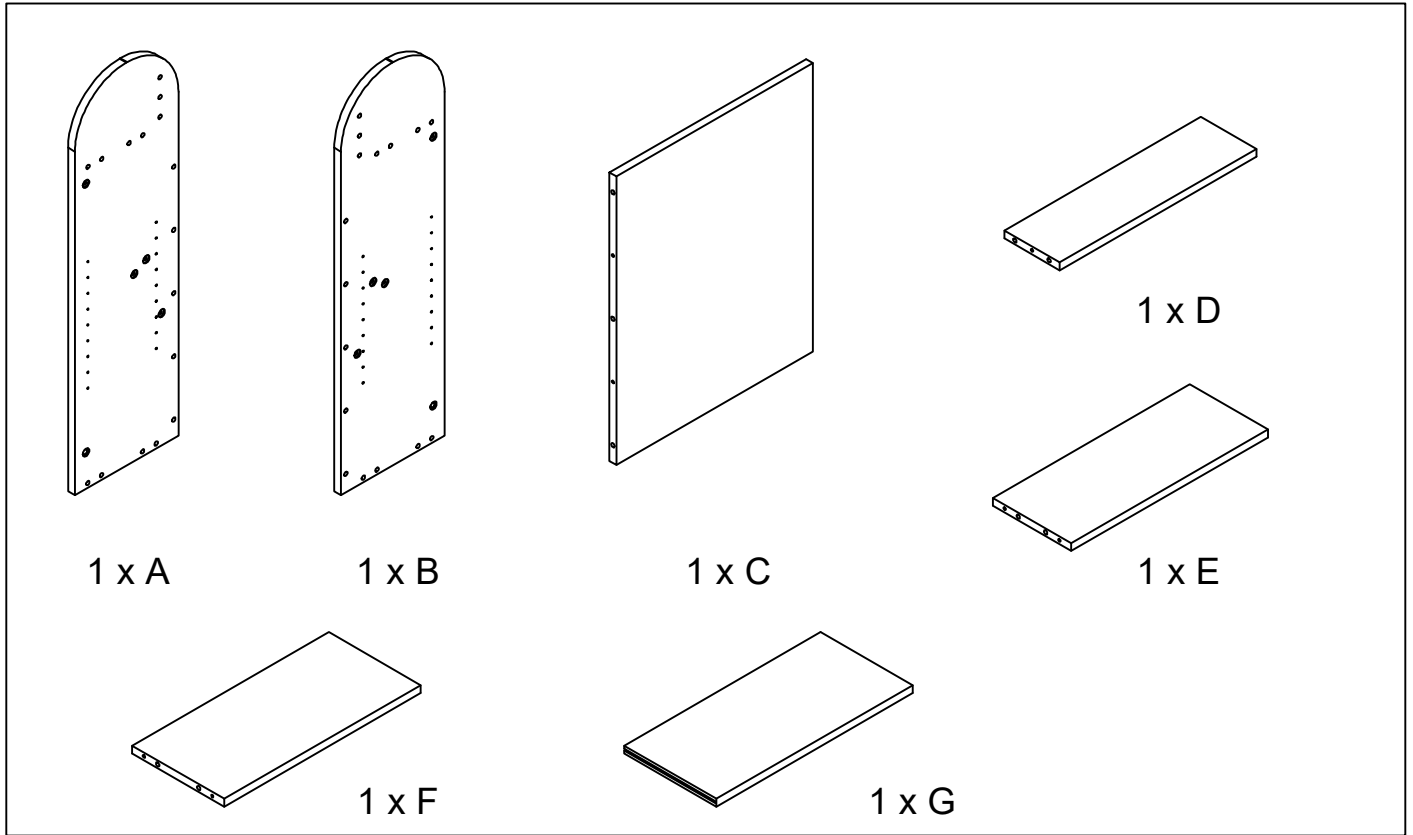


01.2020

First check the contents to make sure that nothing is missing. Sort out the screws and fittings as shown.  
Assemble your furniture step by step, as shown in the illustrations.

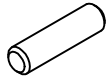
# Assembly Guide

Ergoline book trolley

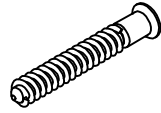


# Assembly Guide

Ergoline book trolley



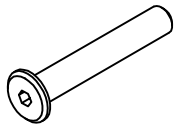
18 x O



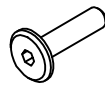
14 x P



2 x Q



4 x R



8 x S



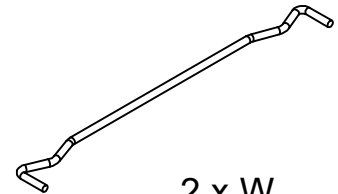
2 x T



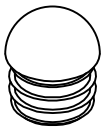
2 x U



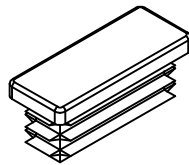
4 x V



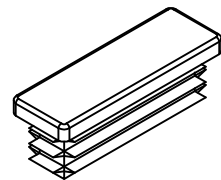
2 x W



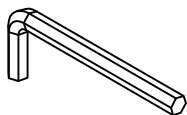
4 x X



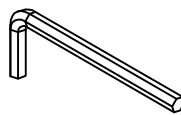
4 x Y



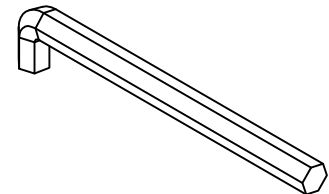
2 x Z



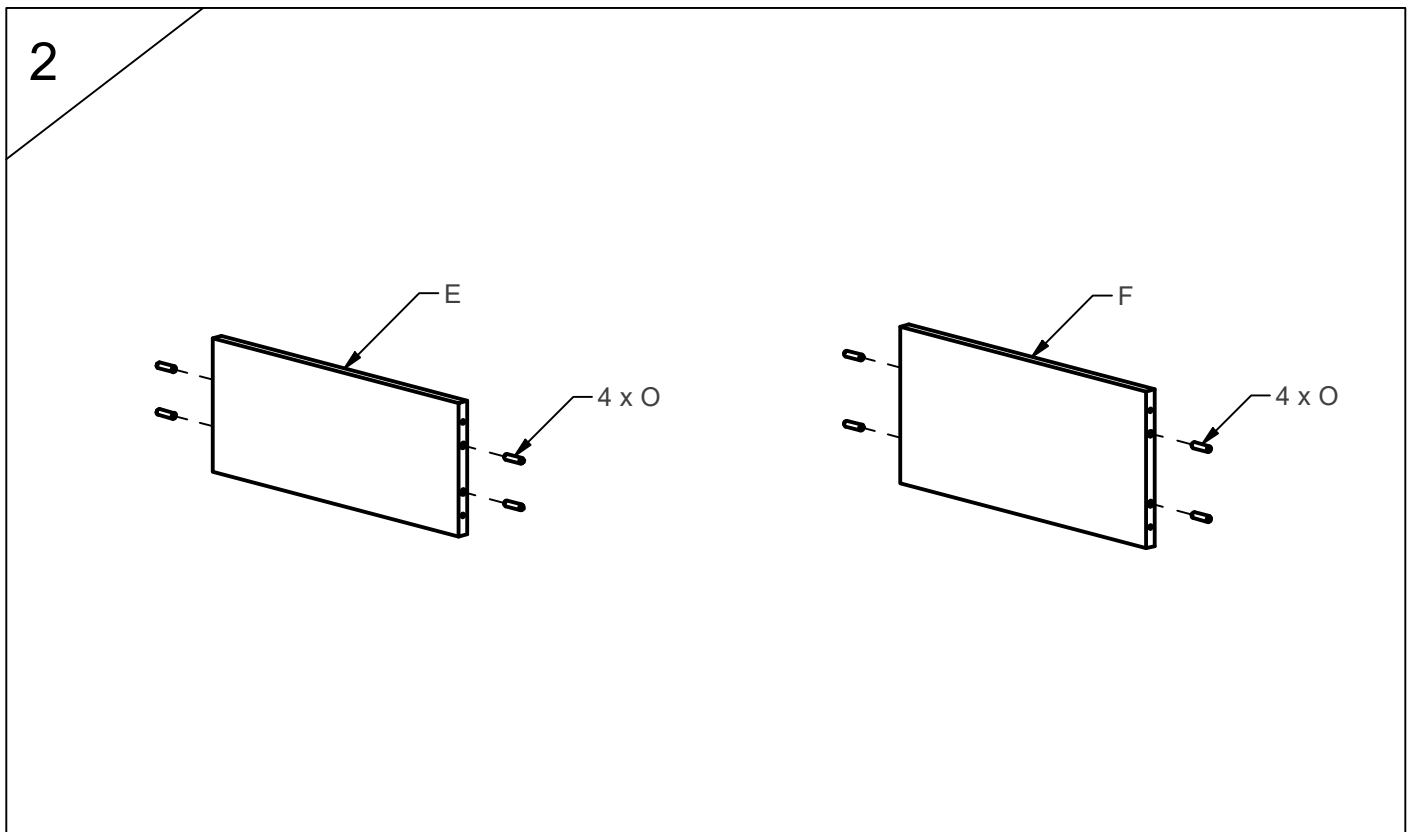
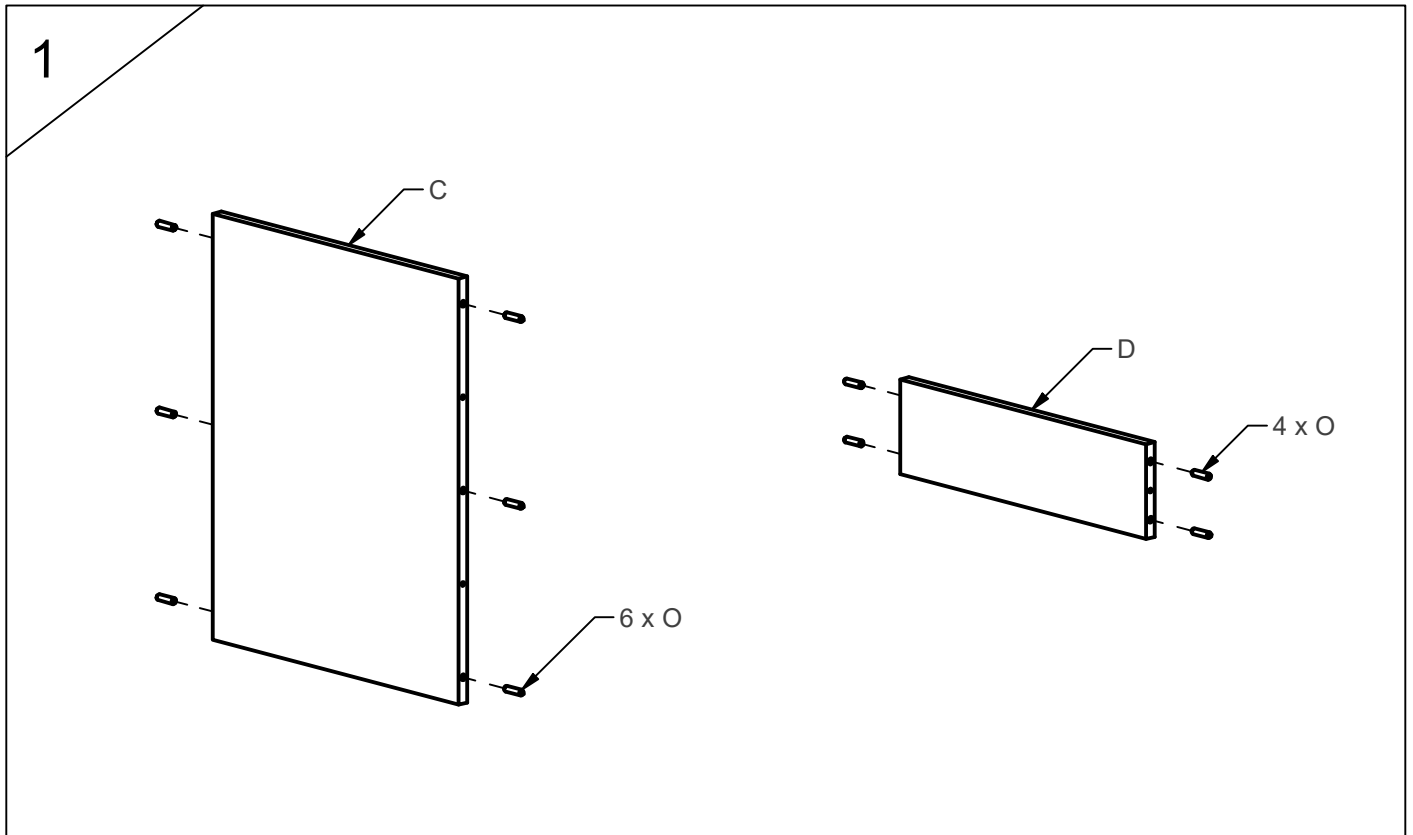
1 x AA



2 x BB



1 x CC



## Ergoline book trolley

