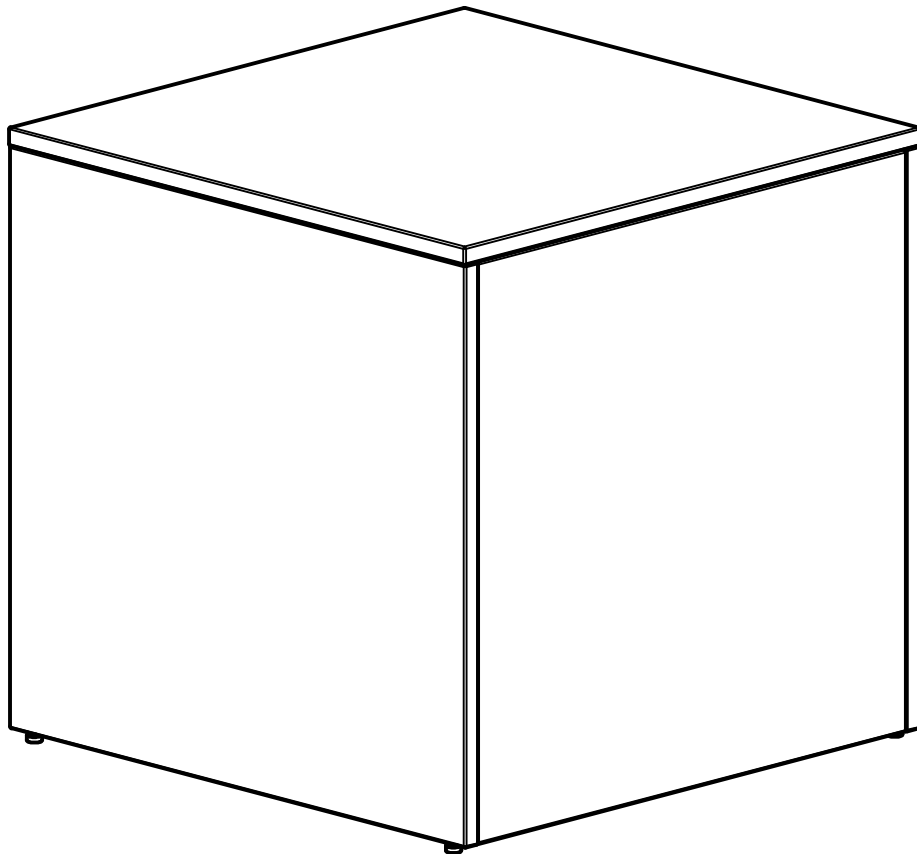


Assembly Guide

Maria XL Midi Podium

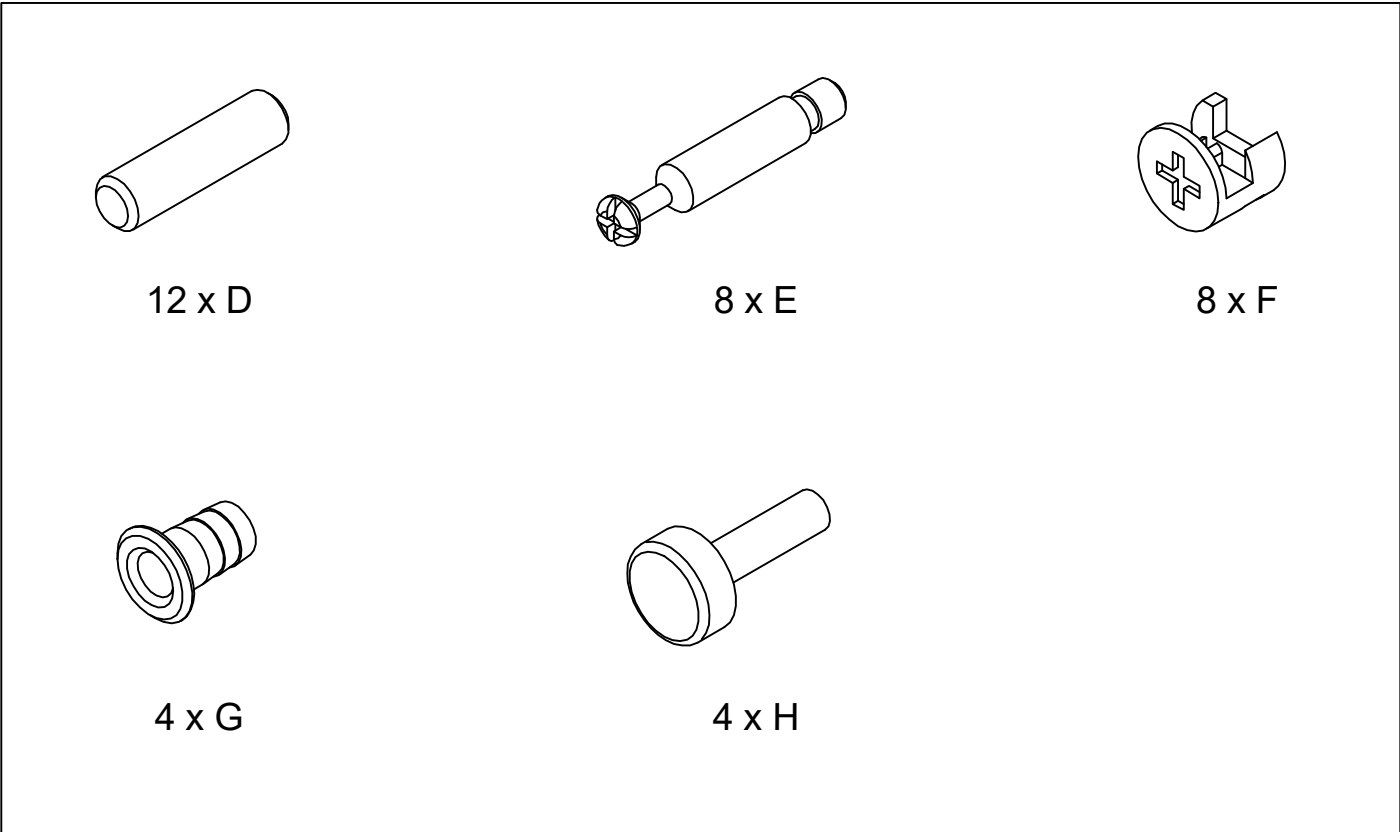
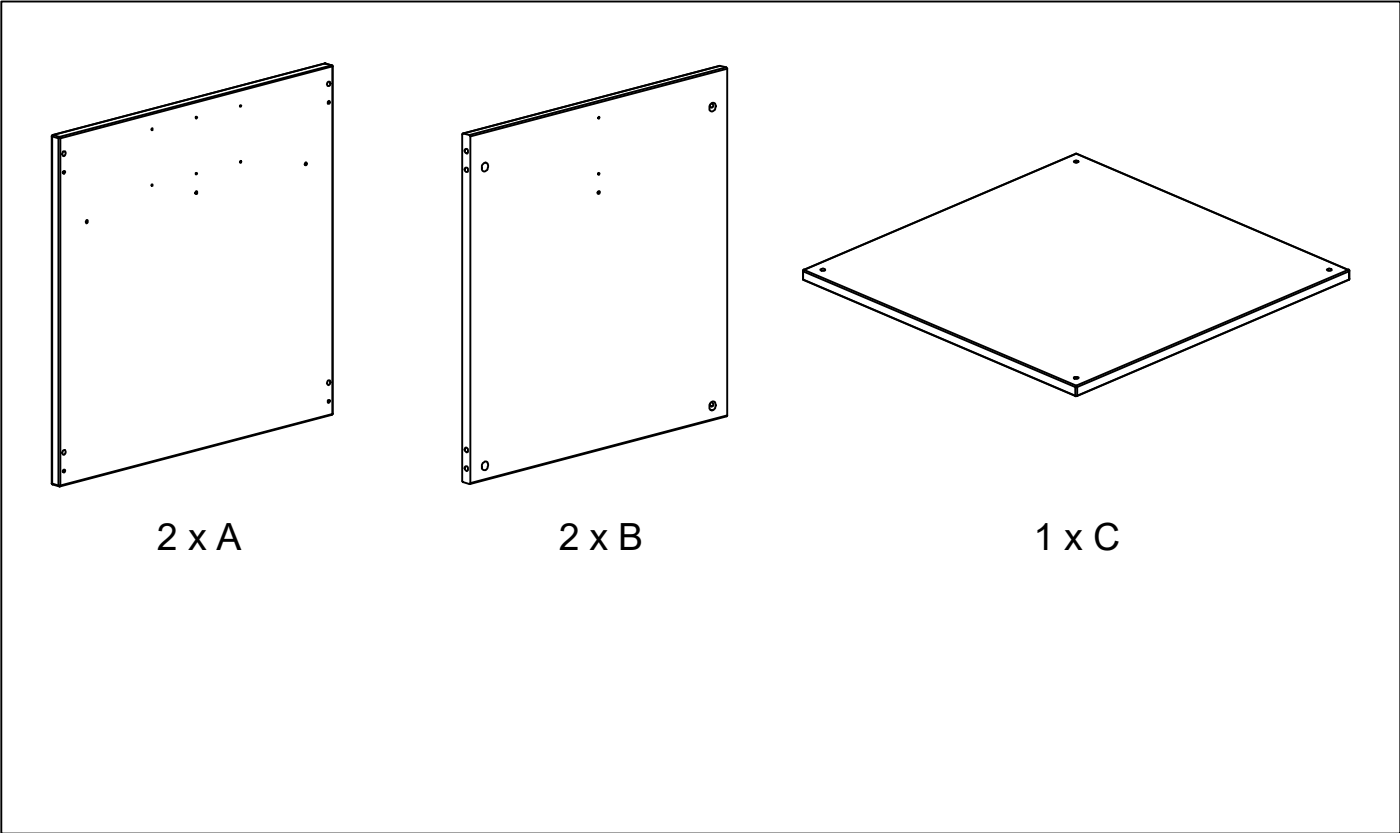


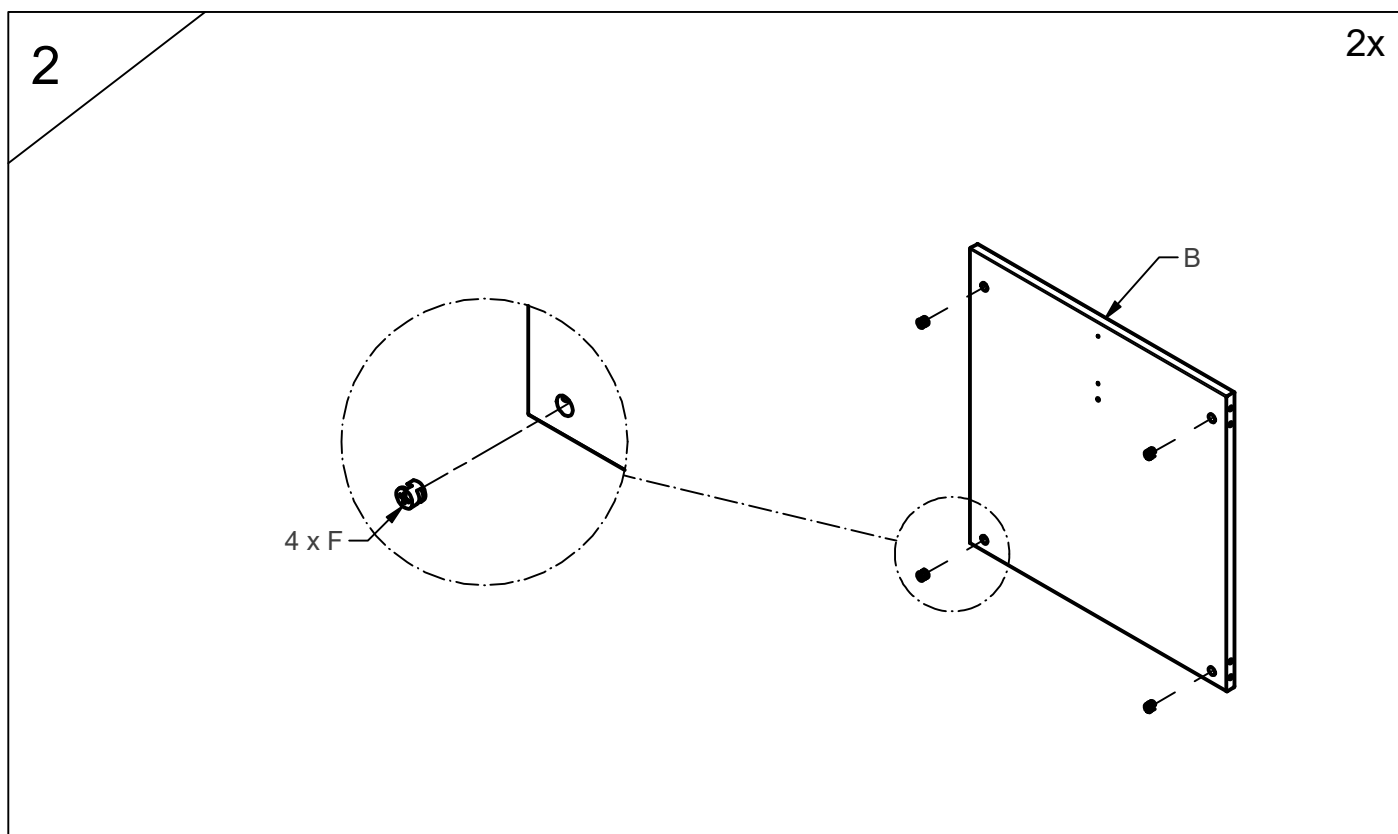
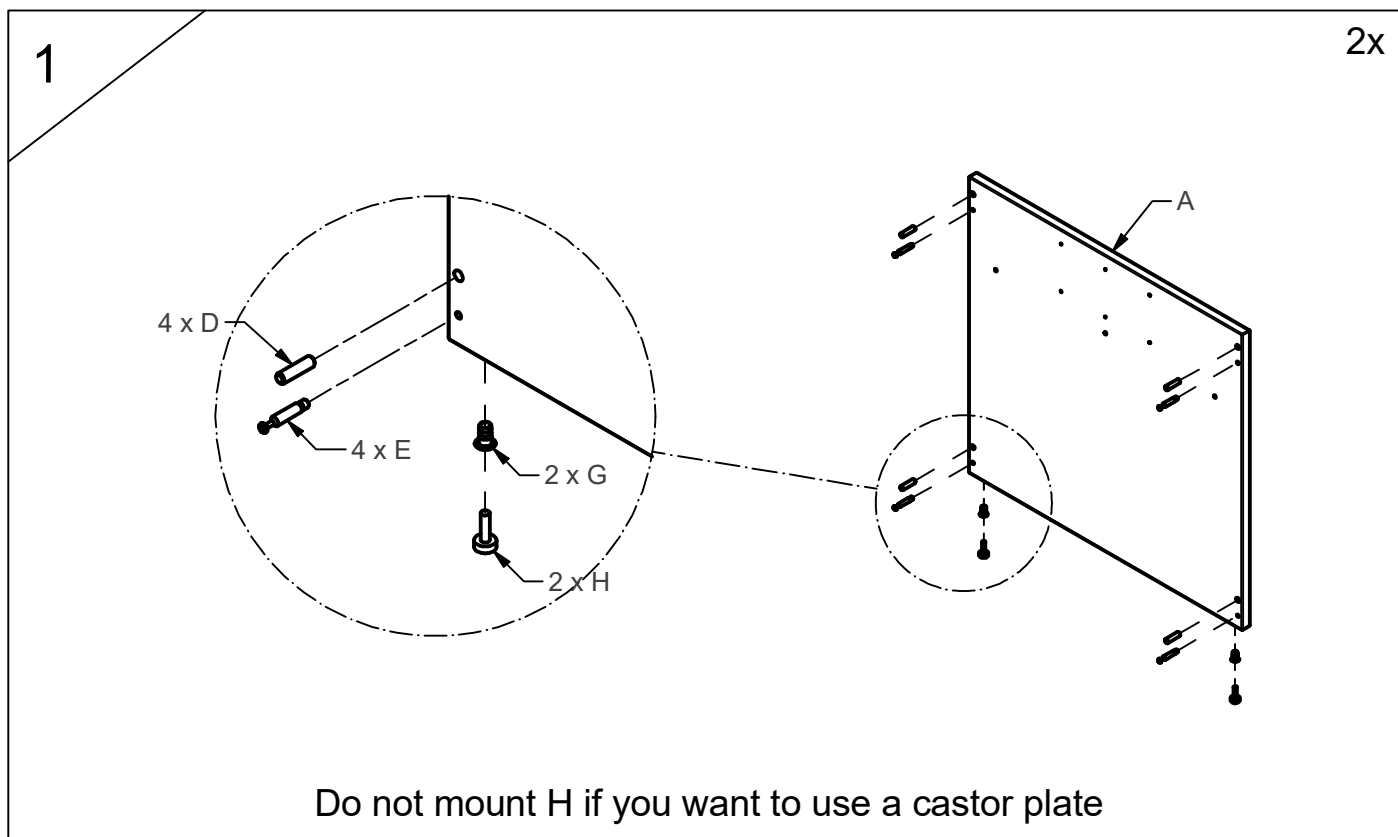
07.2019

First check the contents to make sure that nothing is missing. Sort out the screws and fittings as shown.
Assemble your furniture step by step, as shown in the illustrations.

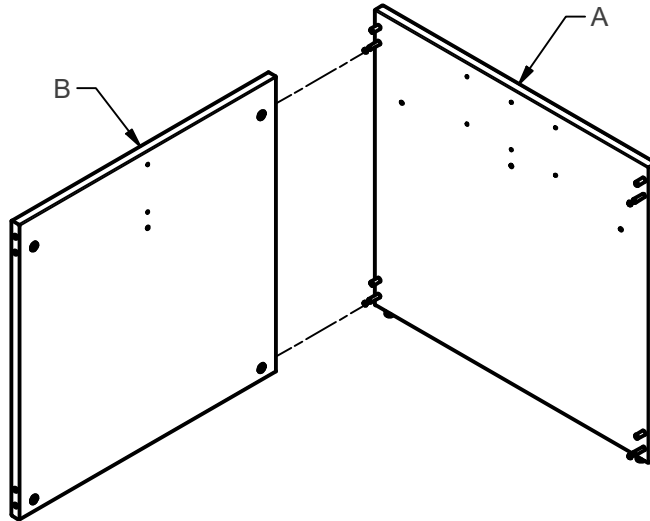
Assembly Guide

Maria XL Midi Podium

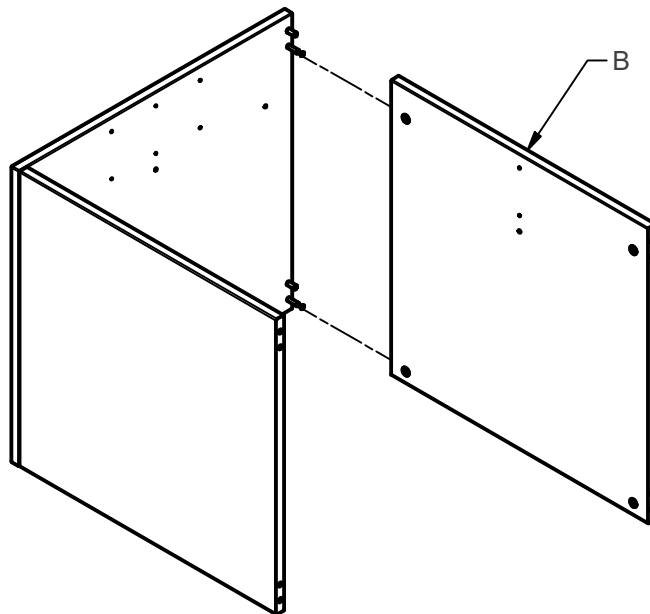


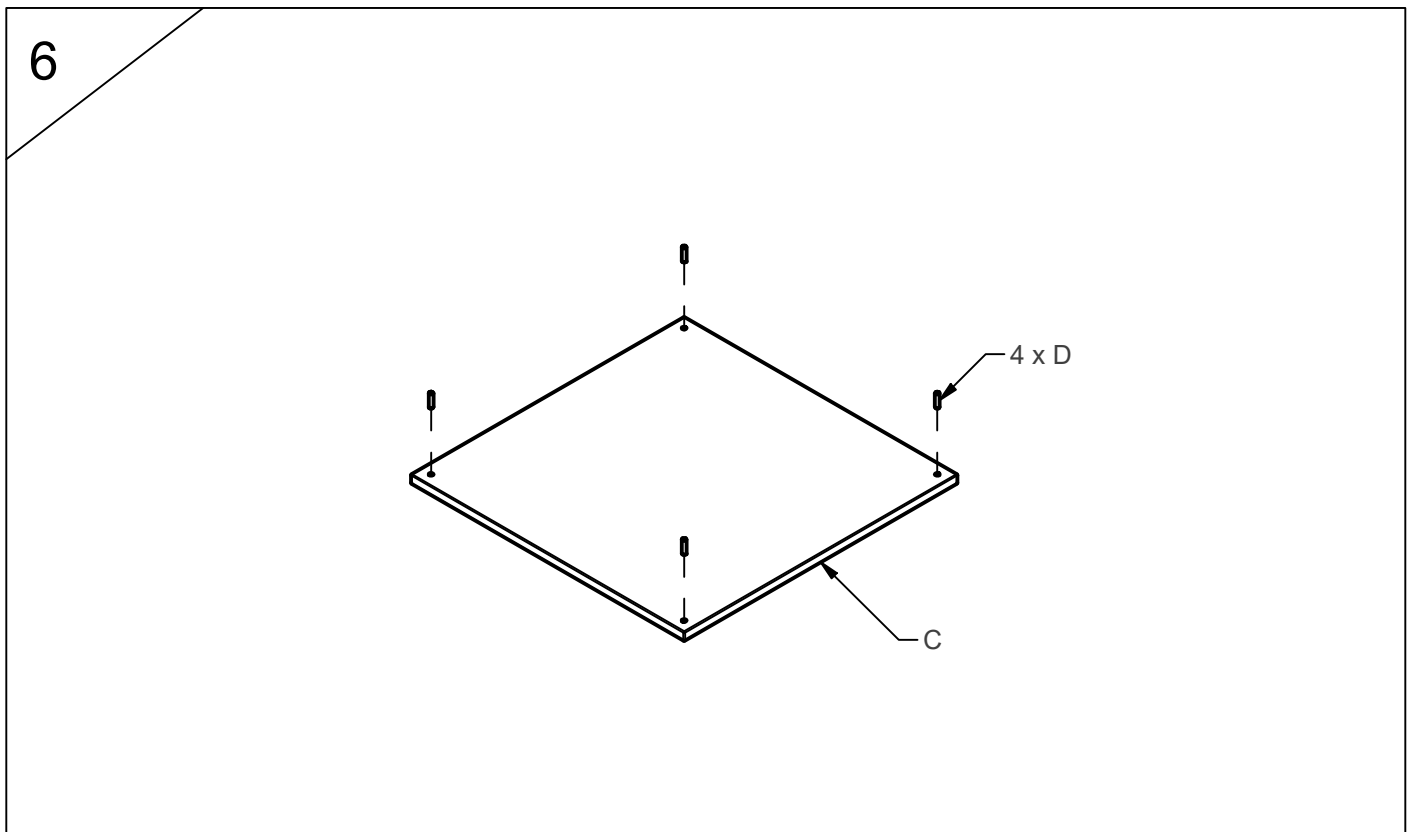
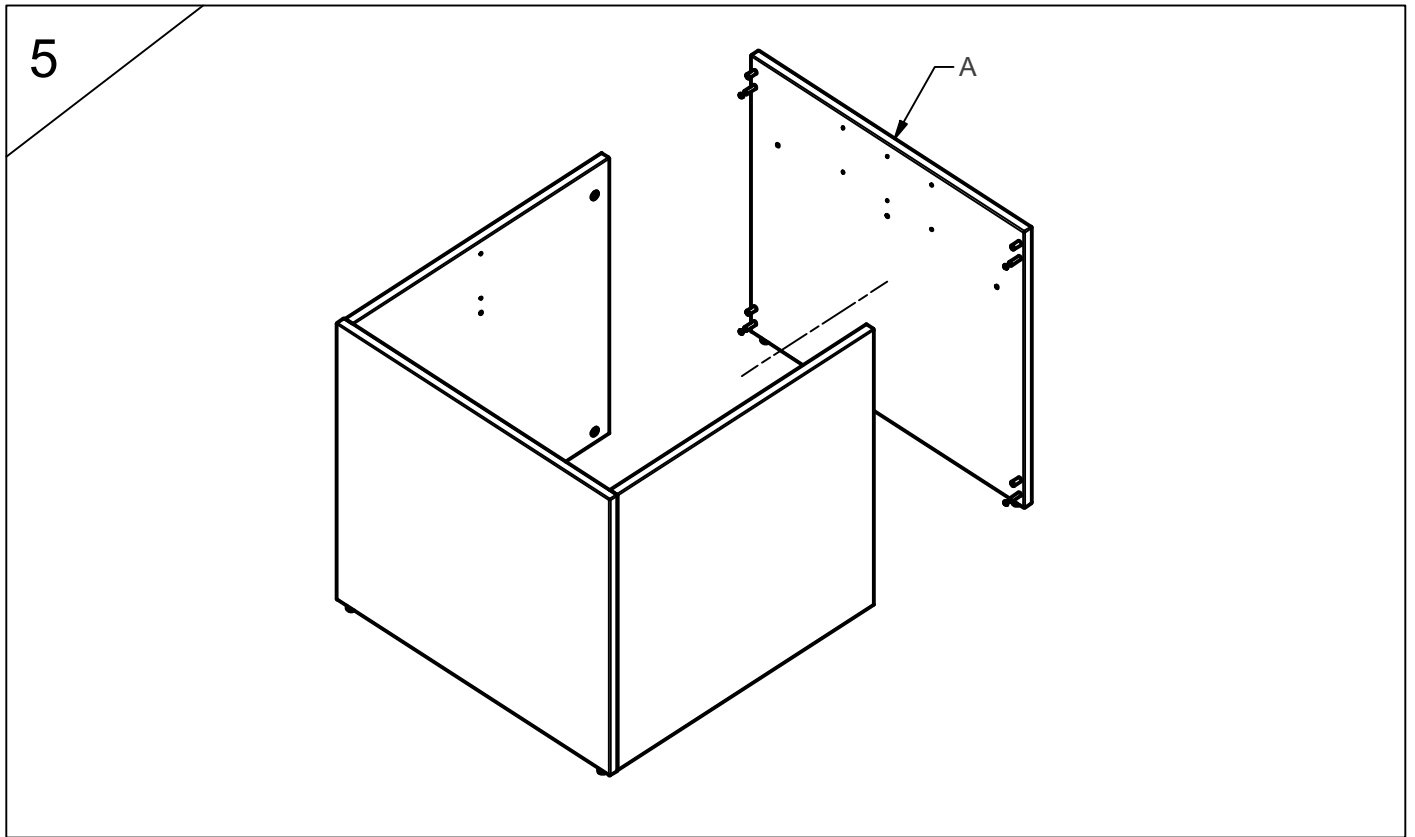


3

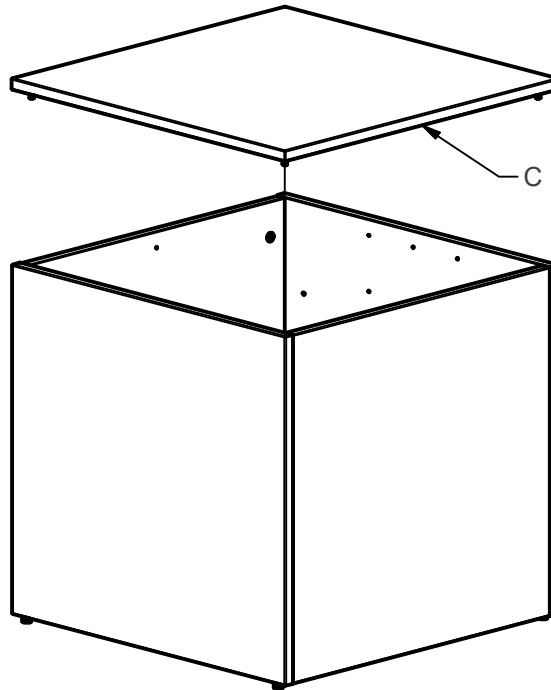


4





7



8

