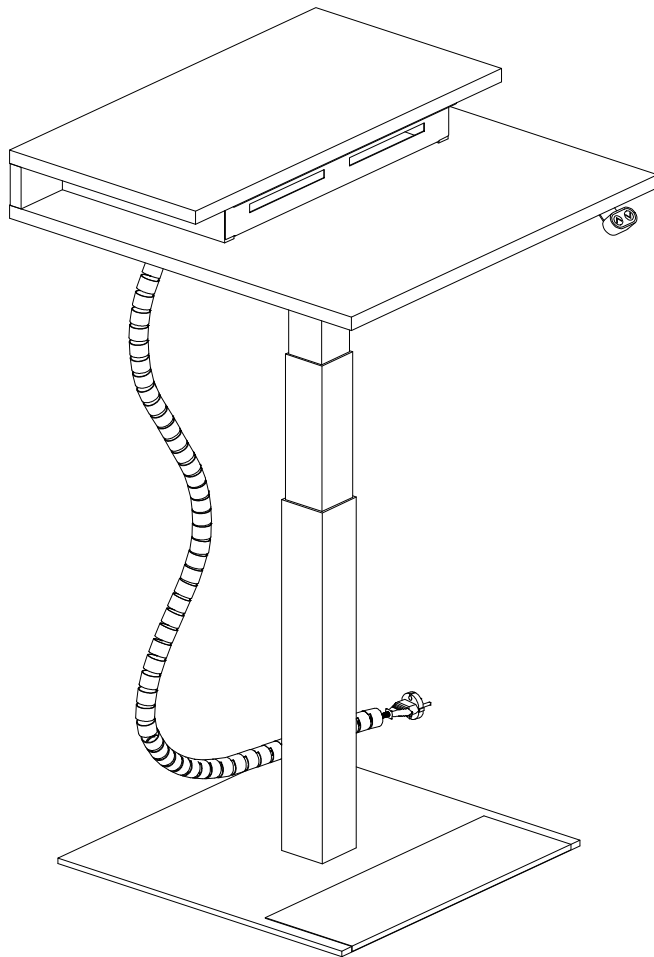


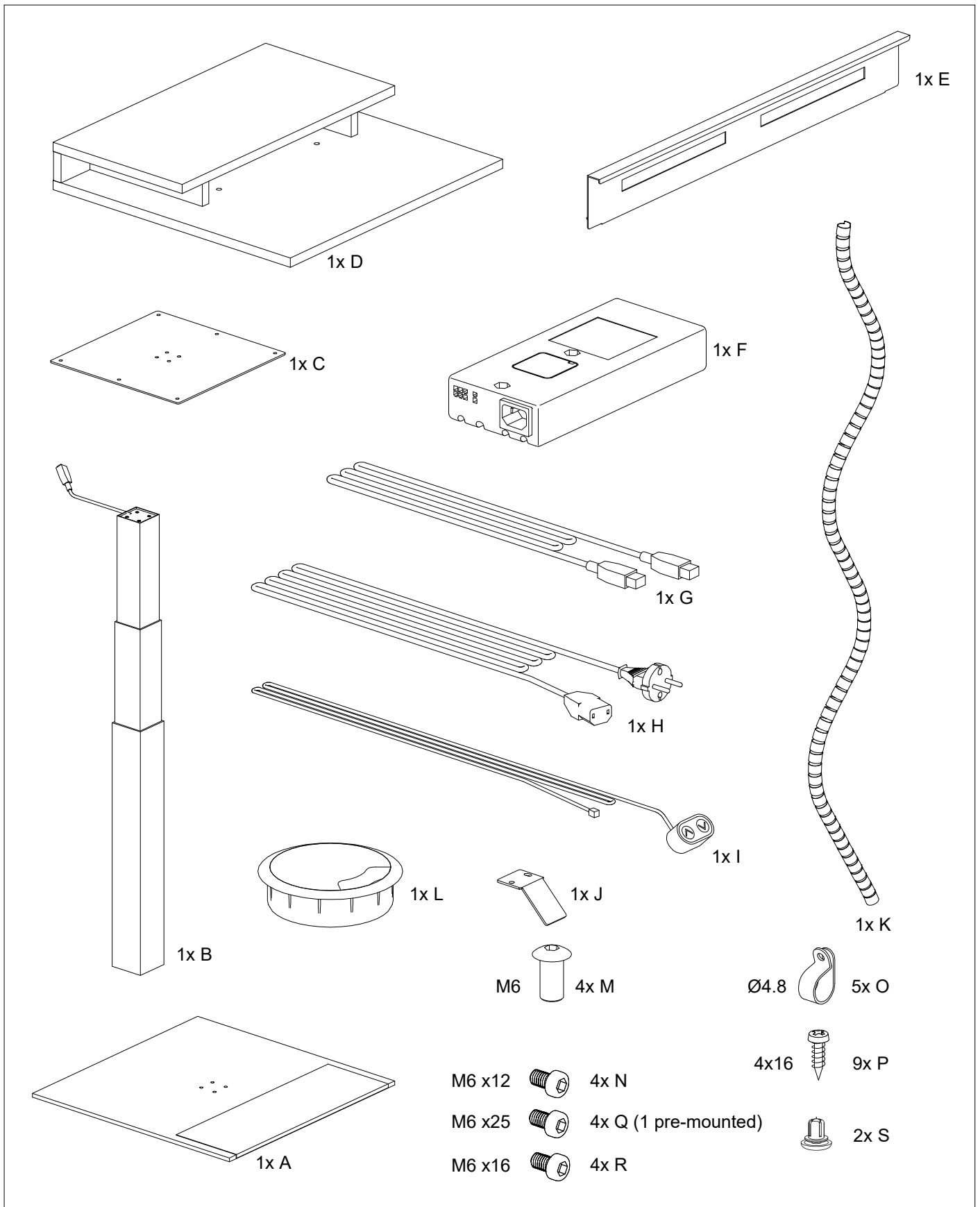
# Assembly Guide

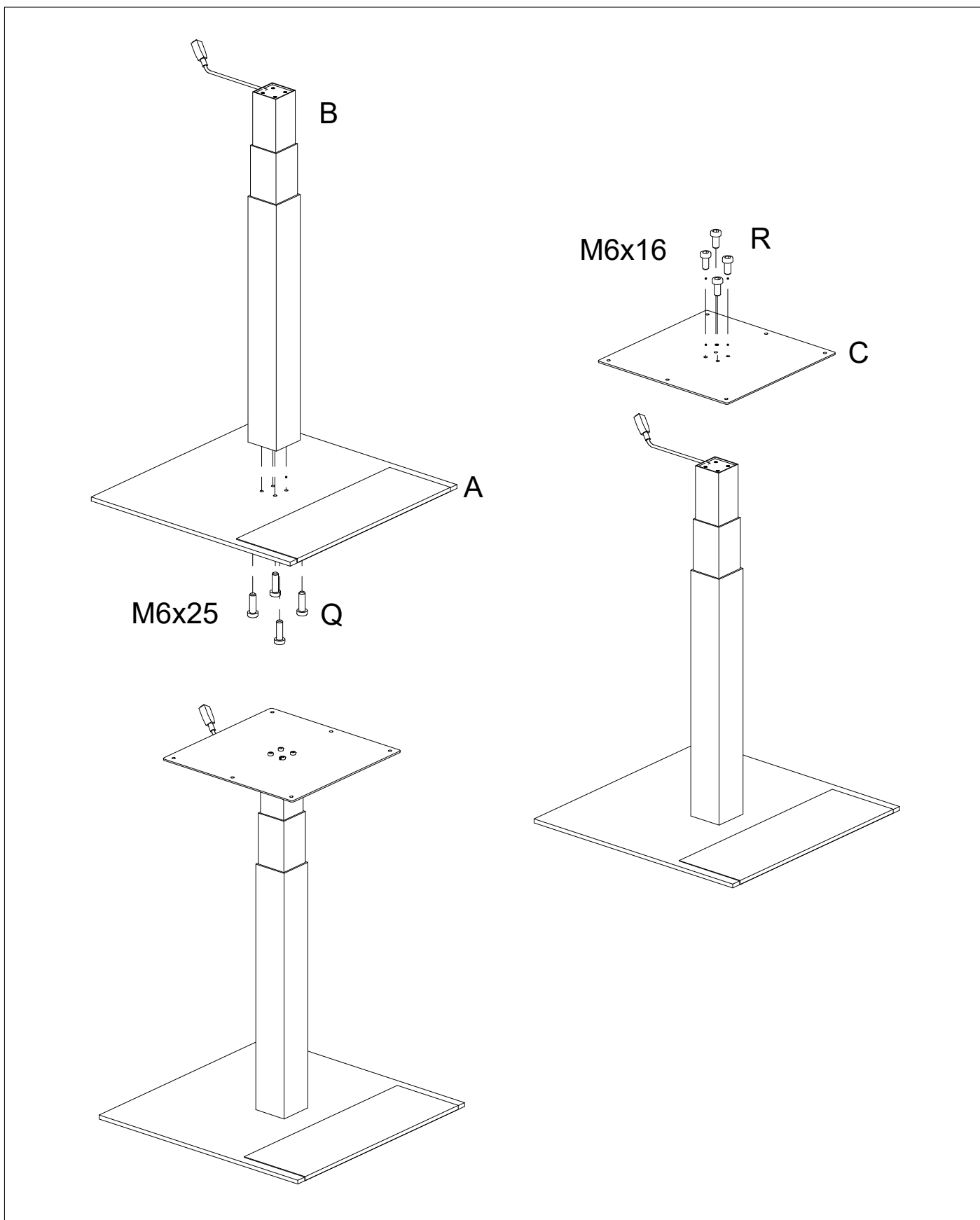
## E3713- Flatline Elektro

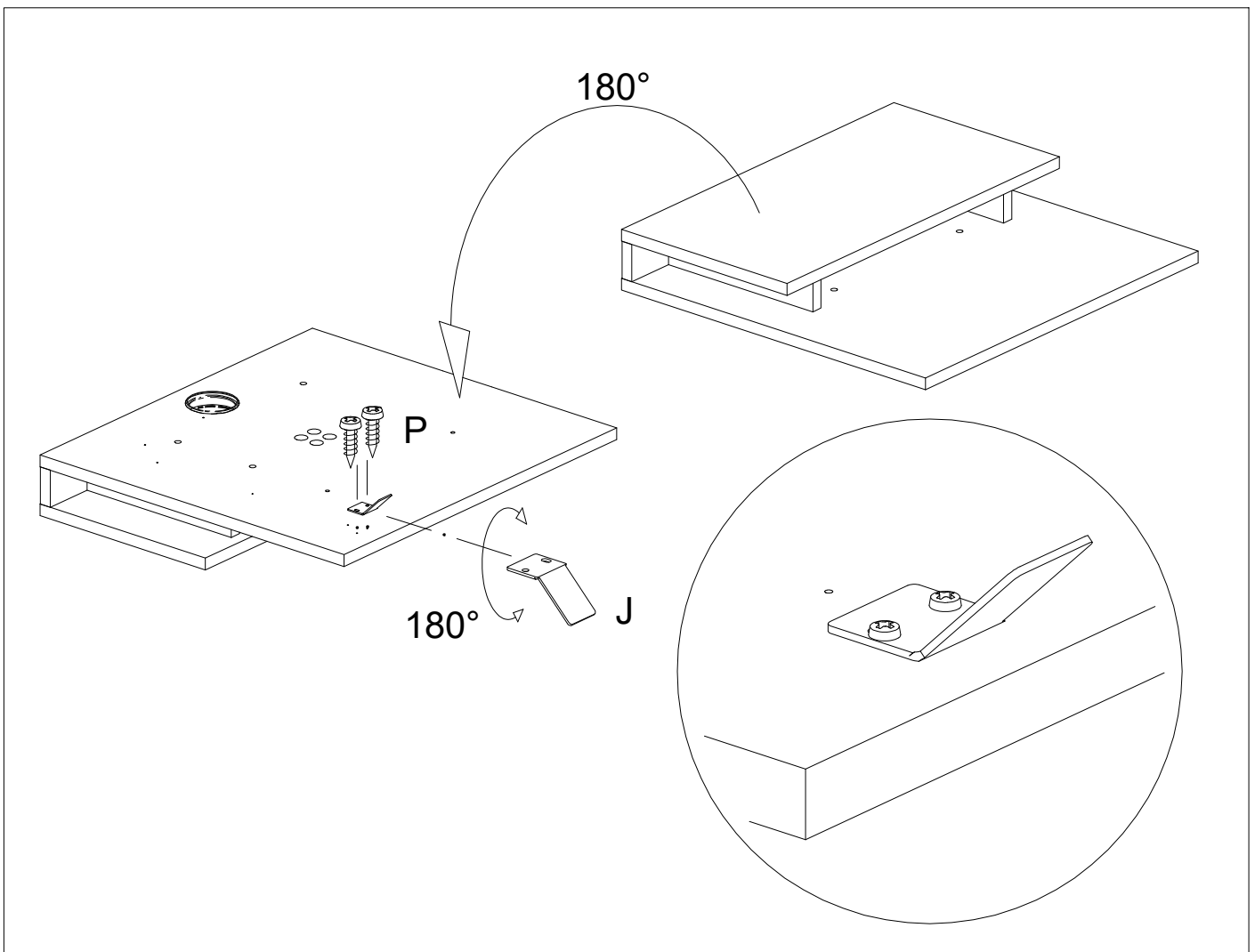
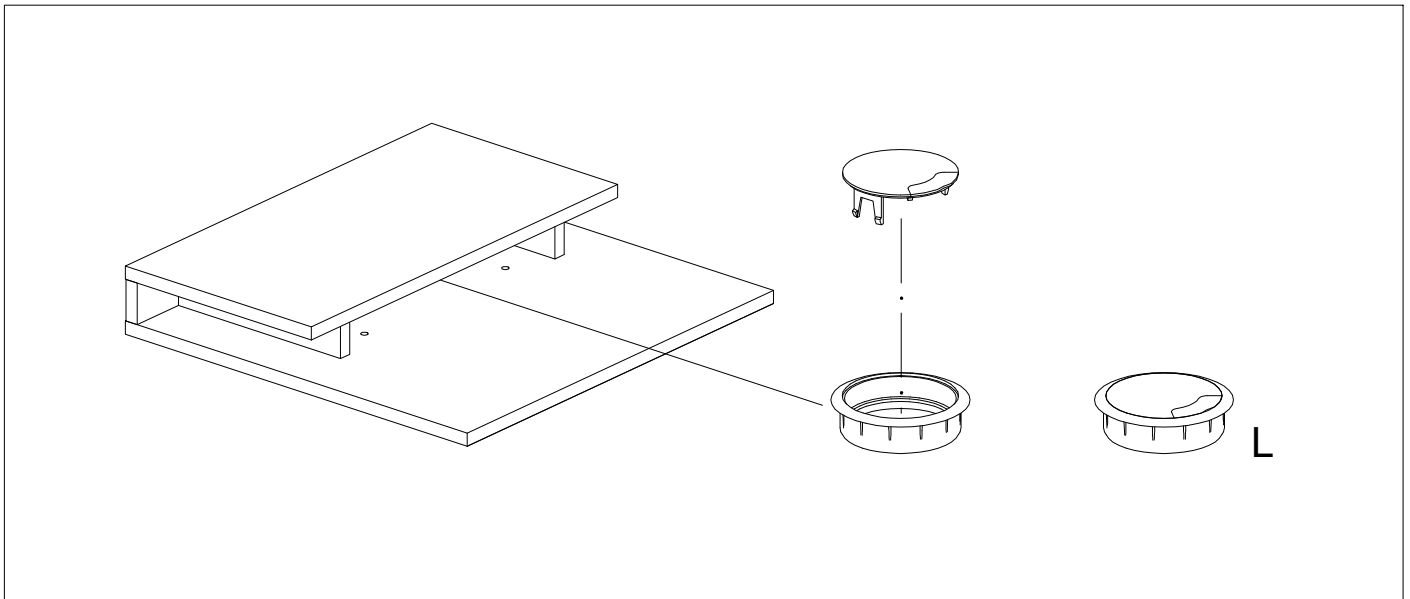


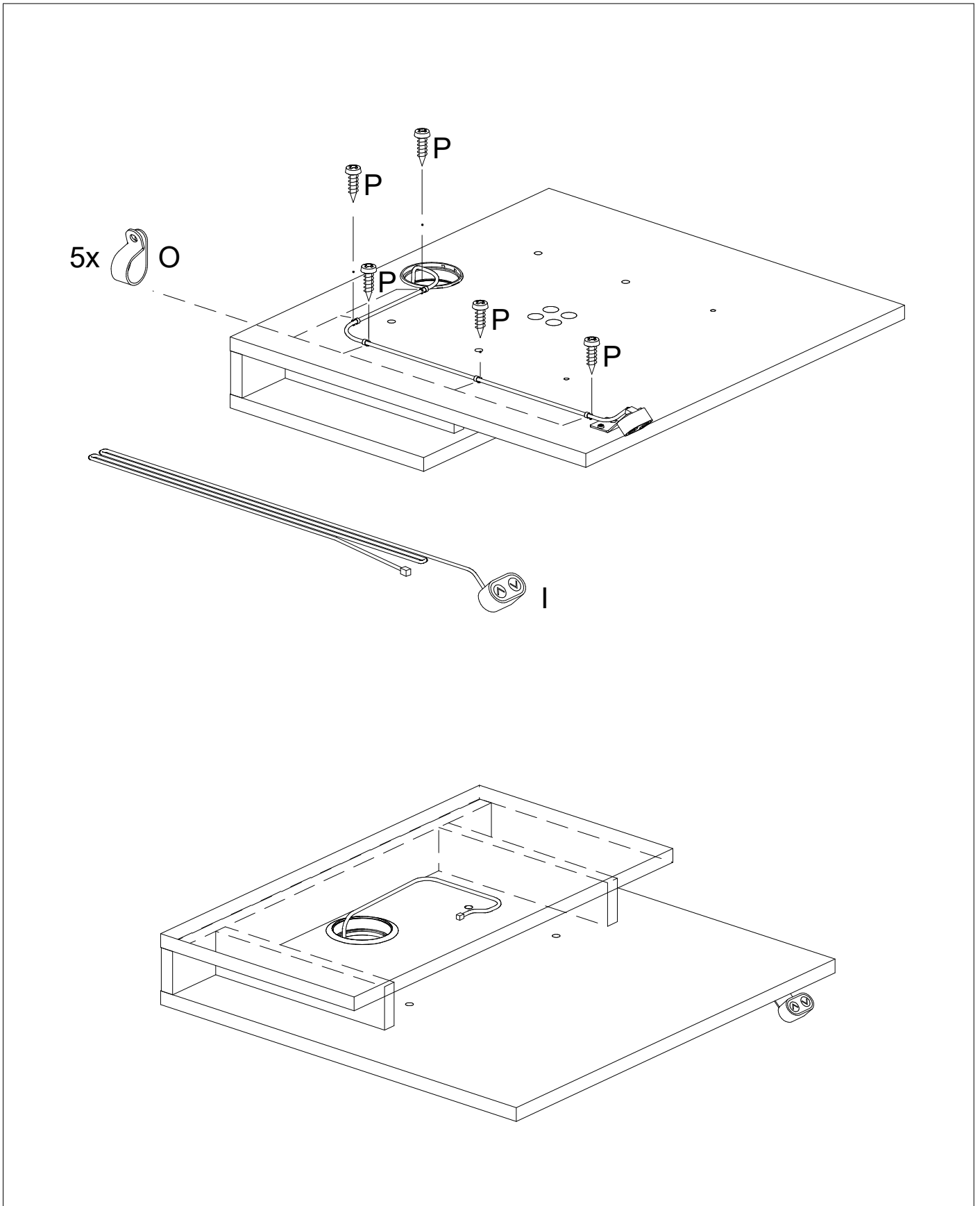
2024.01

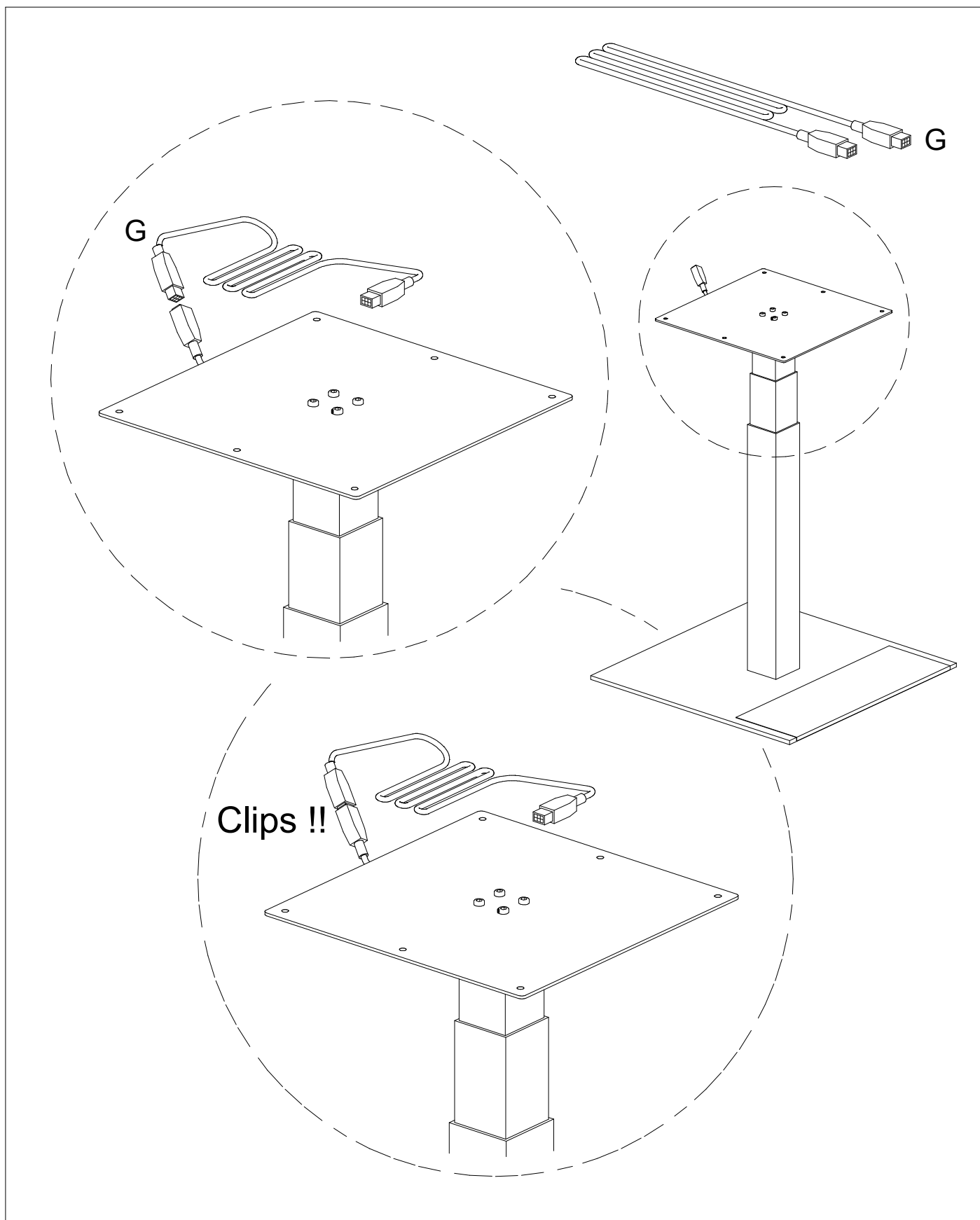
First check the contents to make sure that nothing is missing. Sort out the screws and fittings as shown.  
Assemble your furniture step by step, as shown in the illustrations.

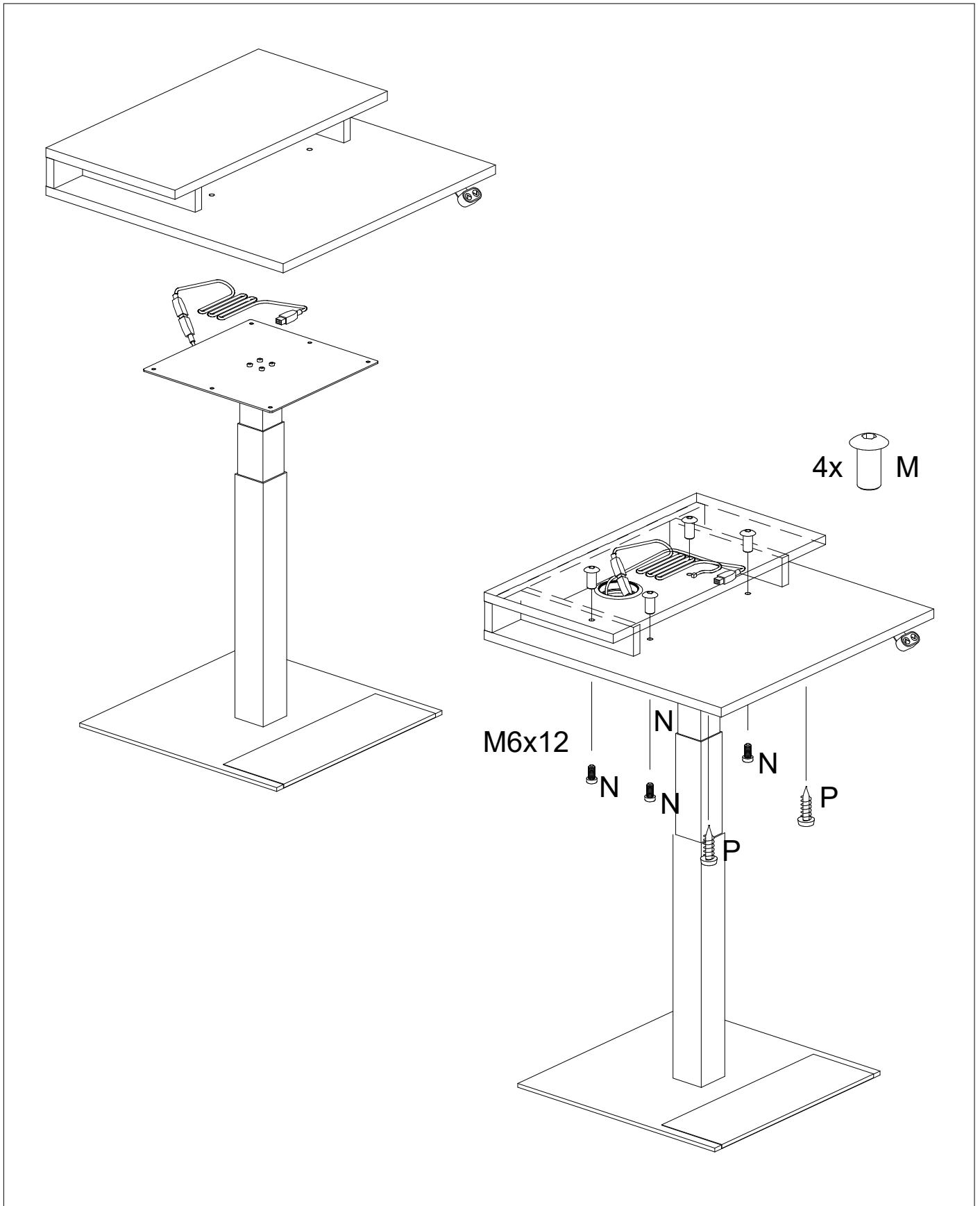


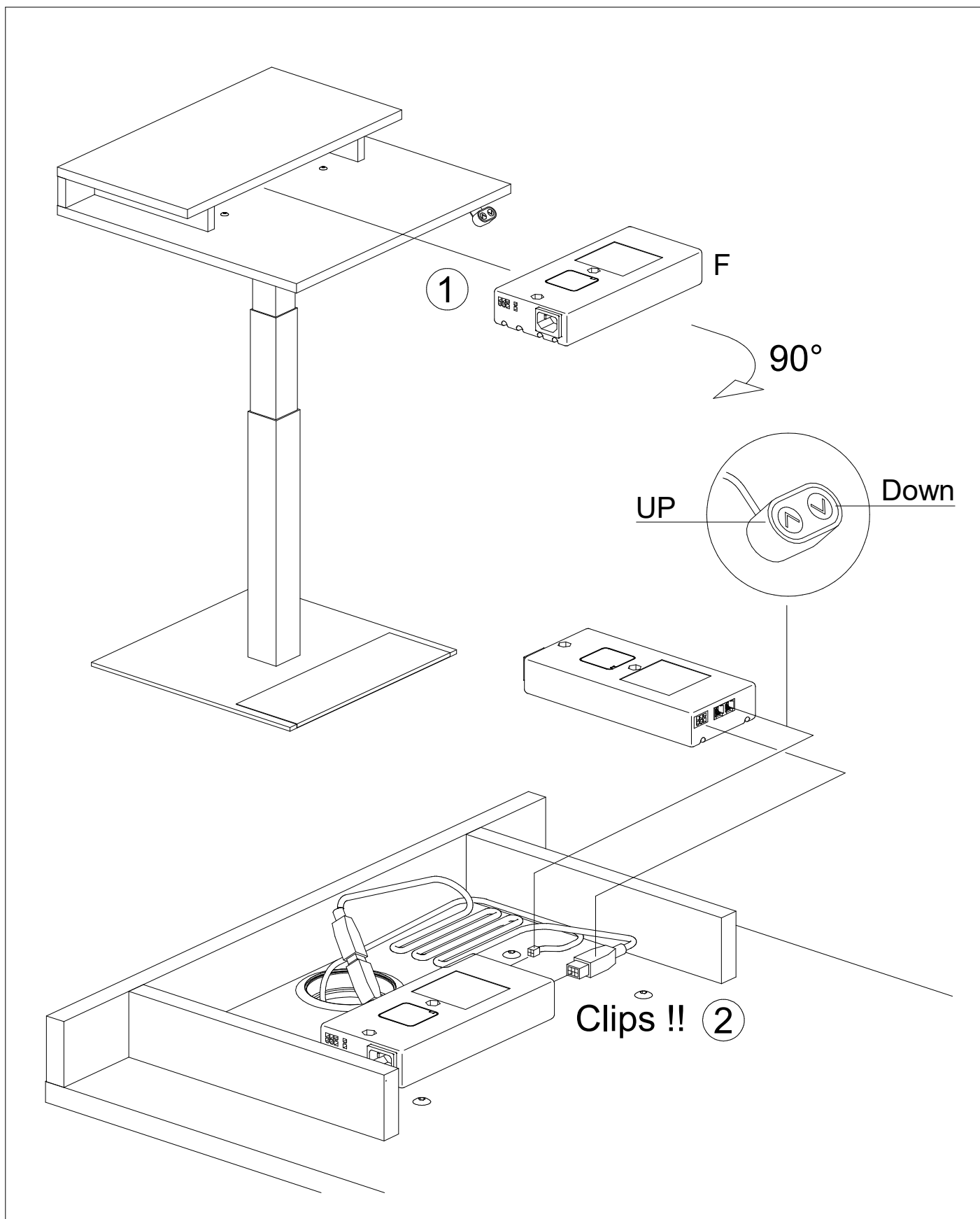




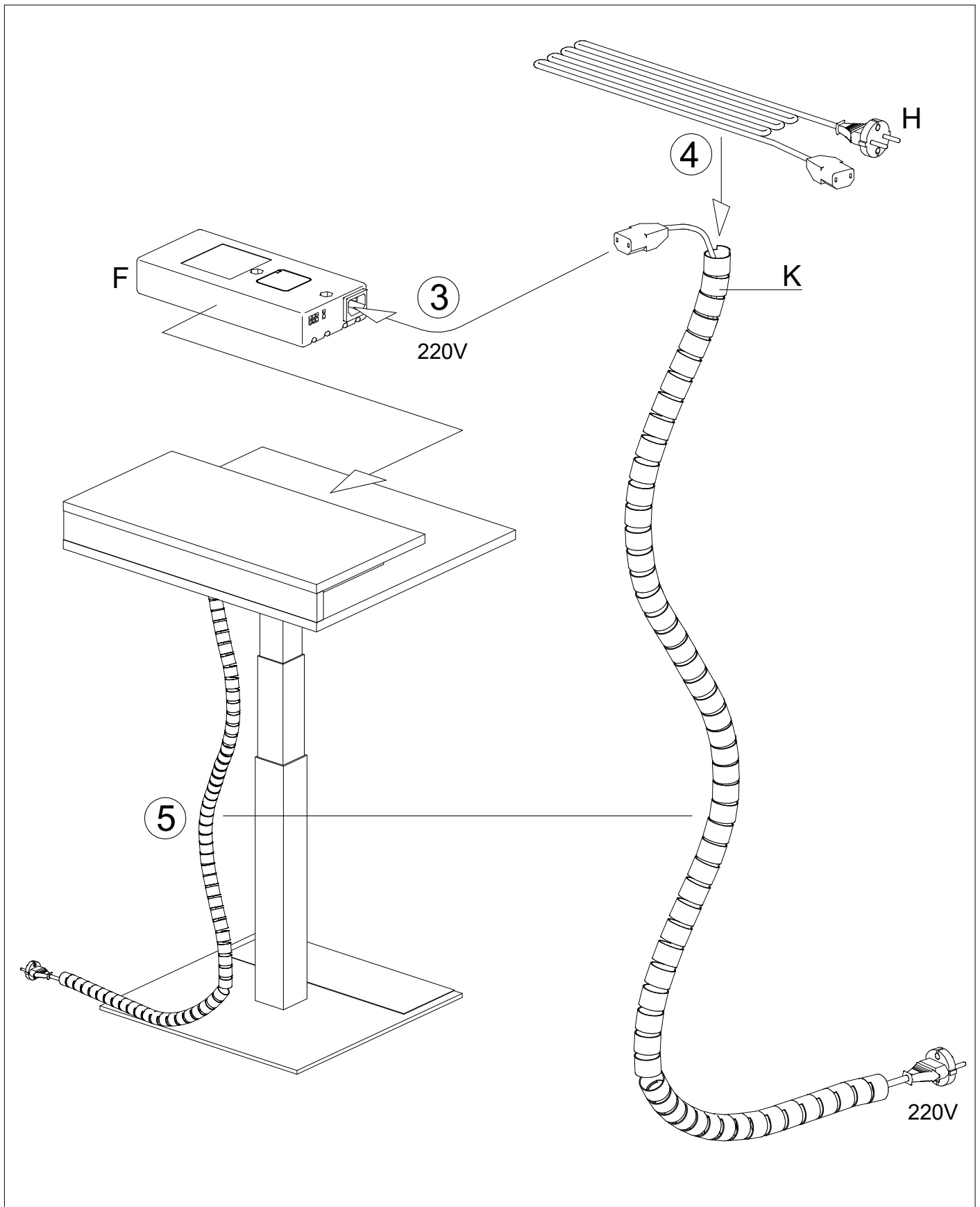


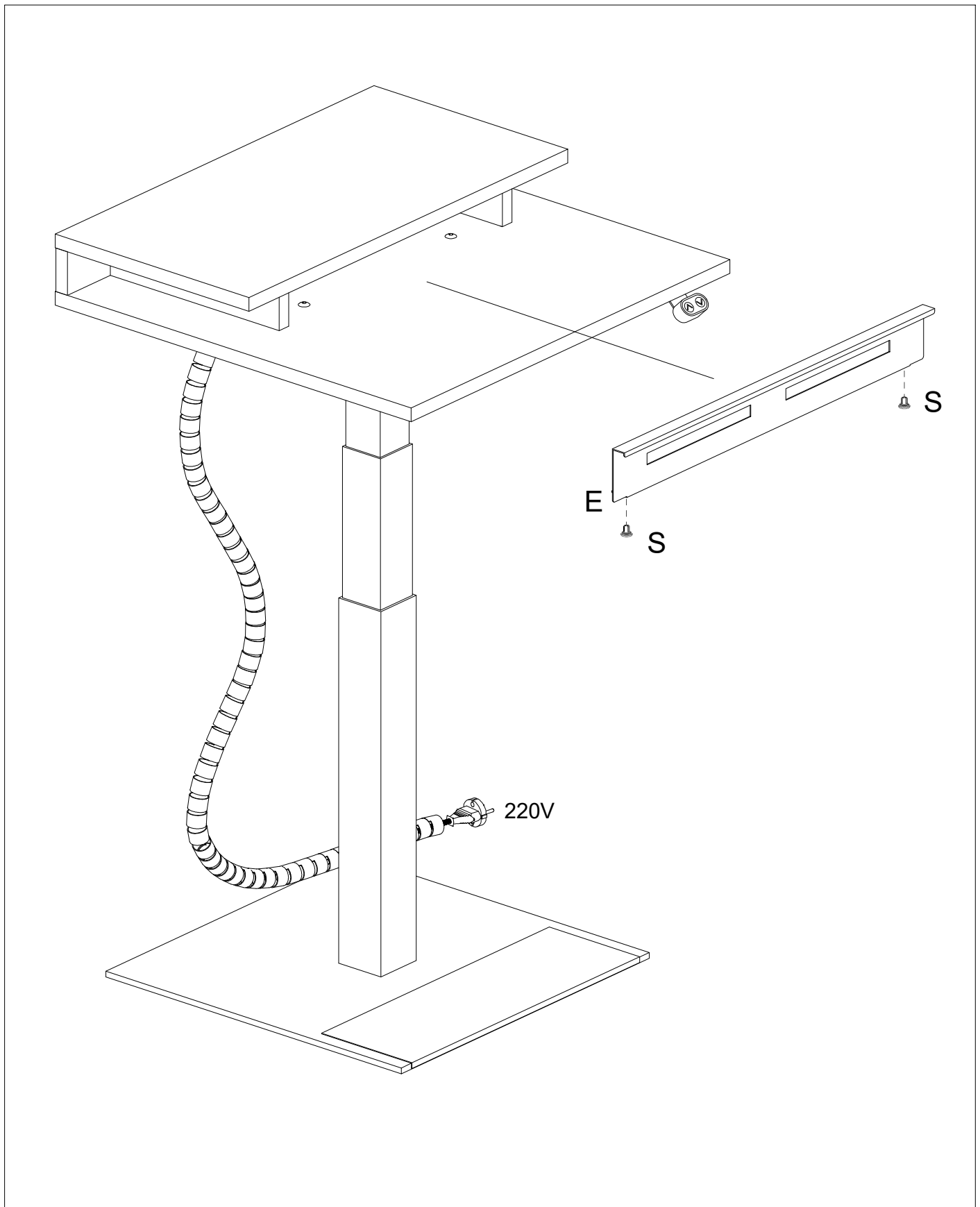


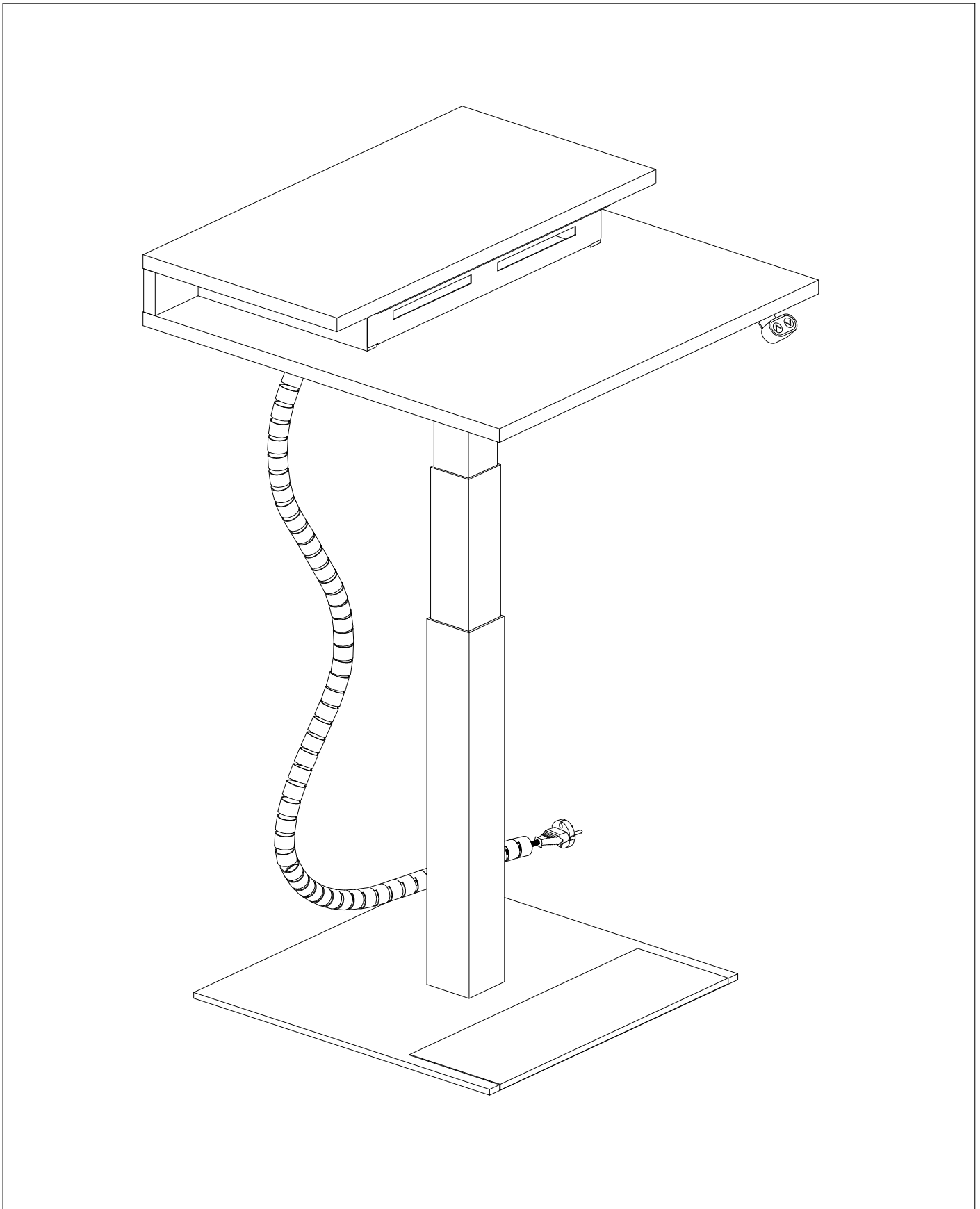




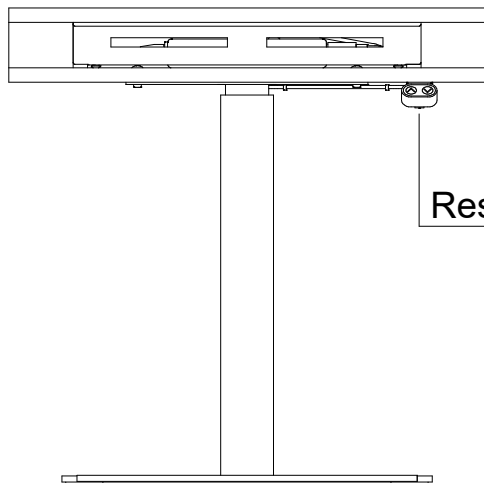
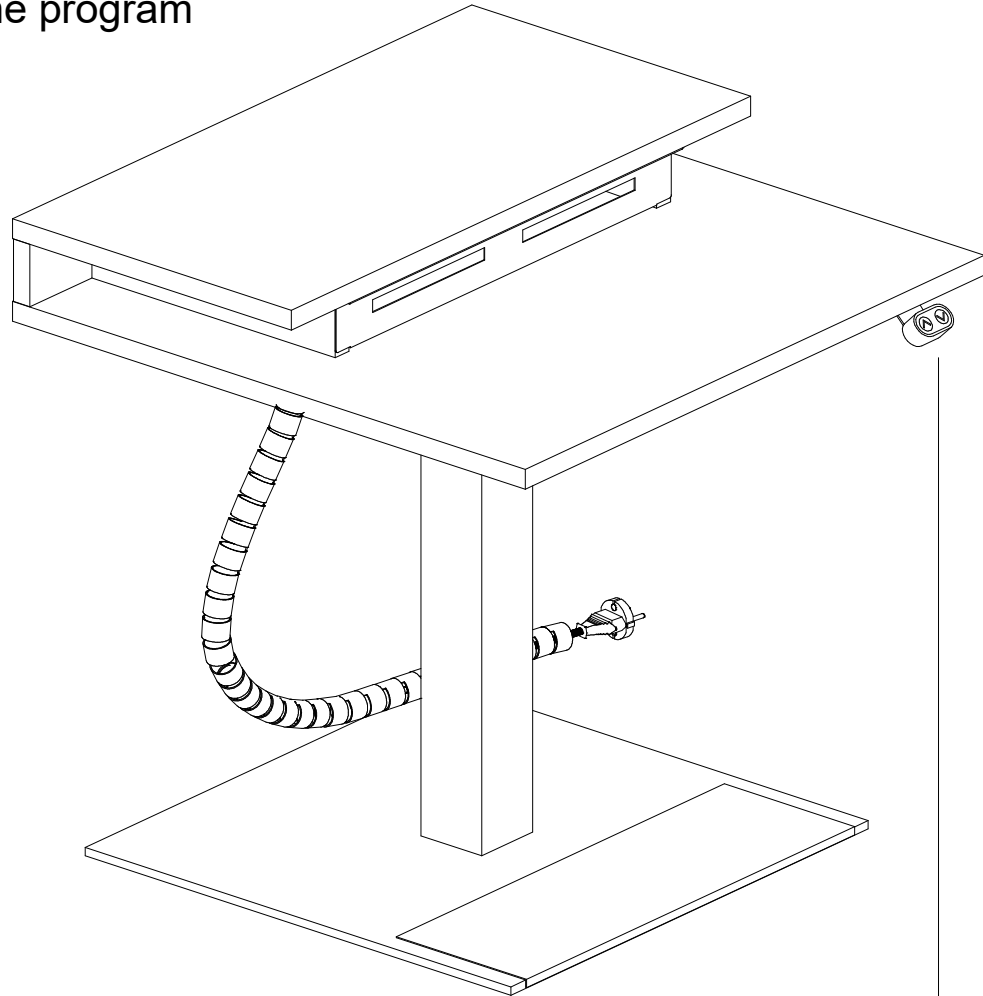




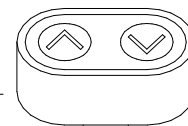






## Resetting the program



### Resetting the program



- Press the  button until the Electro OPAC is in bottom position.
- Release button.
- Press the  button again (4-5 sec.)
- Then release the button again.
- The Electro OPAC is now reset.