



WE ARE LIBRARY PEOPLE®

SCHULZ  
SPELERS

# Assembly Guide

## Monteringsvejledning

### 60/30 – Straight and sloped shelves



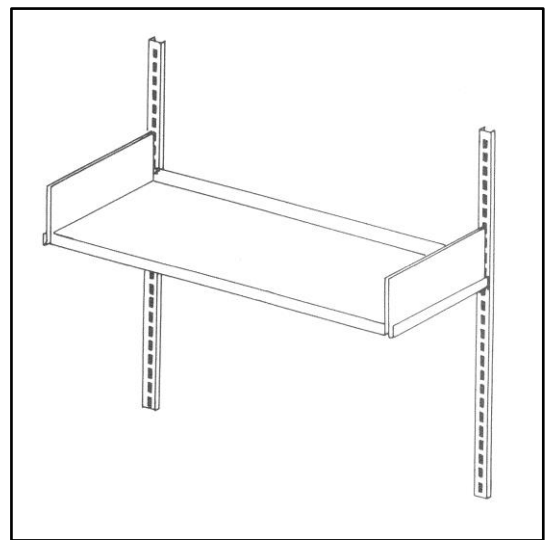
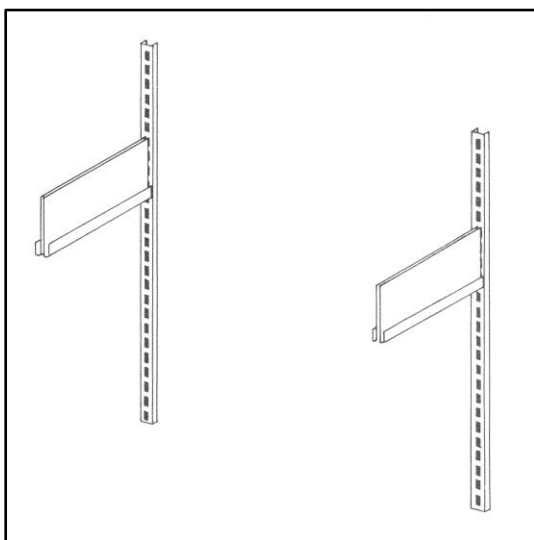
# Assembly Guide

## Assembly guide for 60/30 straight and sloped shelving

---

### Straight shelves

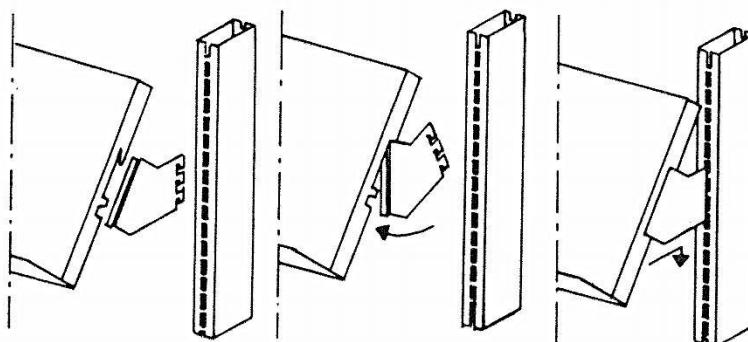
1. Insert the two remaining brackets into a free wall strip at the same height increments as the other brackets.
2. By holding the free wall strip against the wall, and placing the shelf into the brackets the distance is correct.
3. Control the horizontal levelling by placing a spirit level on the shelf.



---

### Sloping shelves

1. Hook the fittings onto the shelf, and suspend the shelf at the desired location on the upright as shown on the figure. When several sections are specified with sloping shelves, we suggest starting from the centre of the range and work outward evenly.



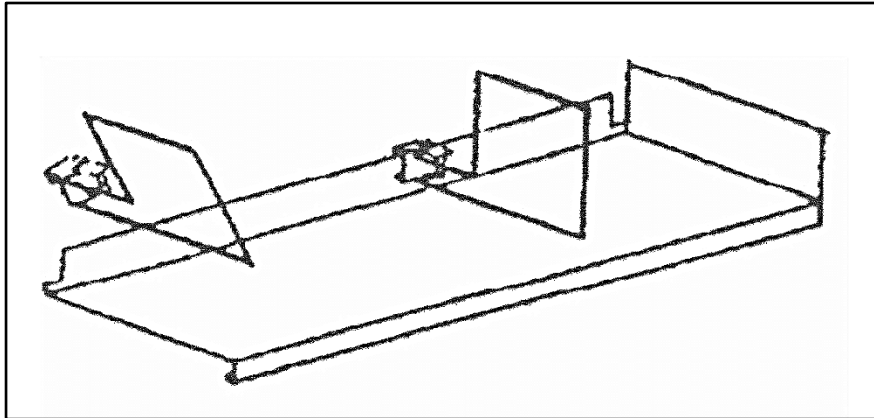
# Assembly Guide

Assembly guide for 60/30 straight and sloped shelving

---

## Book supports

1. Mount the back edge book support by tilting the plastic fitting over the edge of the shelf and twisting it into place.



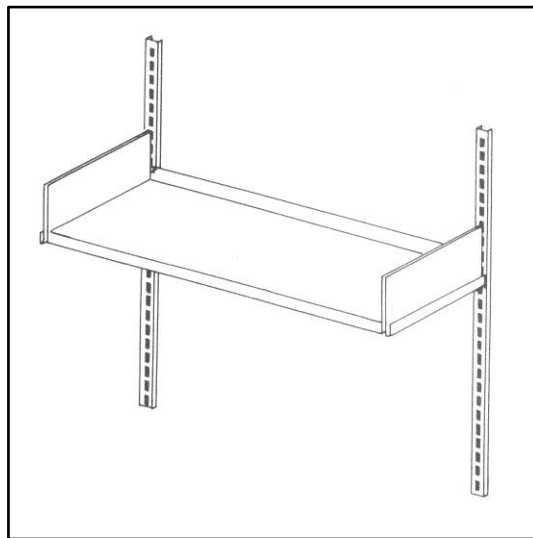
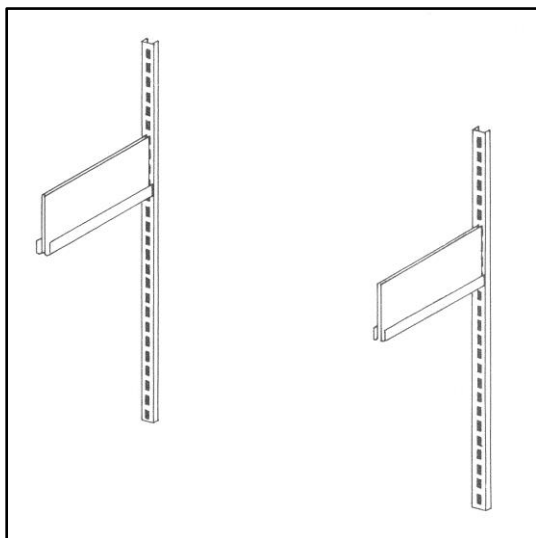
# Monteringsvejledning

Monteringsvejledning for 60/30 lige og skråhylder

---

## Lige hylde

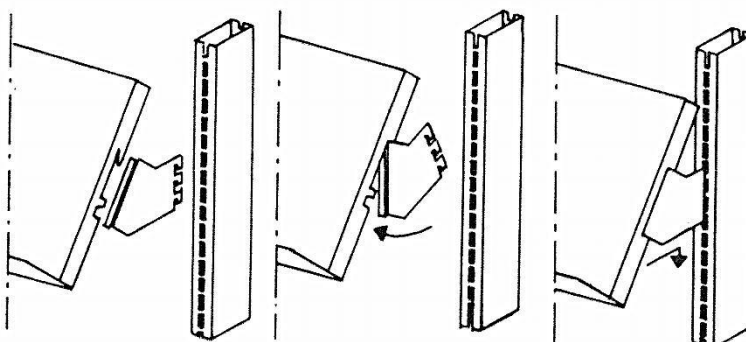
1. Indsæt de to resterende konsoller i en fri vægskinne i den samme højde interval som de øvrige konsoller.
2. Hold den fri vægskinne imod væggen og placer hylden i konsollerne, så er distancen korrekt.
3. Kontroller den horisontale nivellement ved, at placere et vaterpas på hylden.



---

## Skråhylde

1. Fastgør beslagene til hylden og hæng hylden på den ønsket placering på søjlen, som vist på figuren. Når flere sektioner er specificeret med skråhylder, anbefaler vi, at der startes fra midten og arbejdes udad ligeligt.



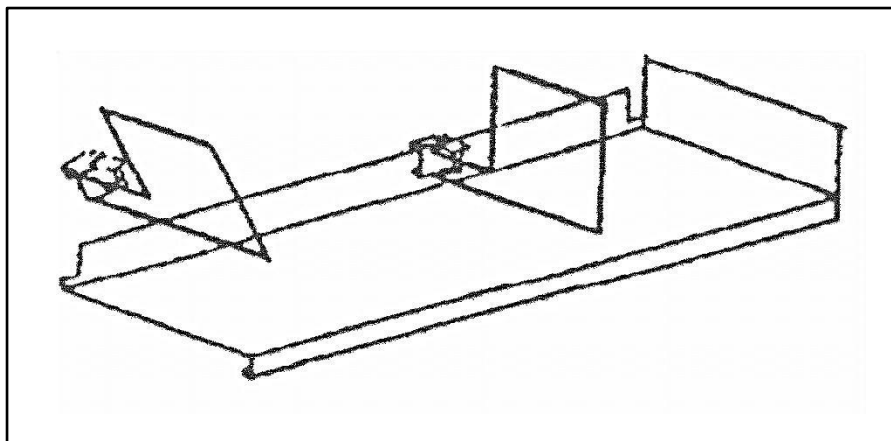
# Monteringsvejledning

Monteringsvejledning for 60/30 lige og skråhylder

---

## Bogstøtte

1. Monter bagkantsbogstøtten ved at vippe plastikbeslaget over hyldekanten og vrid den på plads.





WE ARE LIBRARY PEOPLE®



#### **DENMARK**

Lammhults Biblioteksdesign A/S  
Dalbækvej 1  
6670 Holsted

bci@bci.dk  
www.lammhultsbiblioteksdesign.dk

#### **SWEDEN**

Lammhults Biblioteksdesign AB  
Åkergränden 7  
221 00 Lund

eurobib@eurobib.se  
www.lammhultsbiblioteksdesign.se

#### **NORWAY**

BS Eurobib AS  
Postboks 6348  
Malerhaugveien 20  
0604 Oslo

post@bseurobib.no  
www.bseurobib.no

#### **GERMANY**

Schulz Speyer Bibliothekstechnik AG  
Friedrich-Ebert-Straße 2a  
67346 Speyer

sales@schulzspeyer.de  
www.schulzspeyer.de

#### **FRANCE**

BC Interieur S.A.R.L.  
8, Allée Lorentz  
77 420 Champs sur Marne

bci@bcinterieur.com  
www.bcinterieur.fr

#### **UNITED KINGDOM**

thedesignconcept Ltd.  
Unit 12, Evans Business Centre  
Belgrave Street  
Bellshill ML4 3NP

info@thedesignconcept.co.uk  
www.thedesignconcept.con.uk

#### **BELGIUM/HOLLAND**

SBNL – Schulz Benelux BVBA  
Appelweg 94 C  
3221 Holsbeek

info@sbnl.be  
www.sbnl.be

Find our dealers on [www.wearelibrarypeople.com](http://www.wearelibrarypeople.com)

**SCHULZ**  
**SPEYER**